

AP095-360

Technical Specification

1、 TECHNICAL SPECIFICATION

- Product Name : Privacy Protection Film
- Application: Display, Glass
- Grade: 4 Way PET Core (38° / 4WAY)

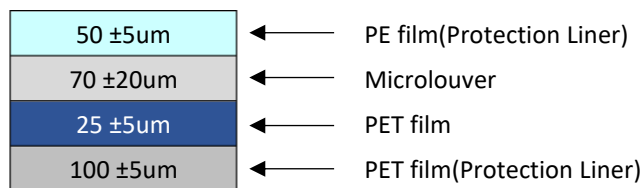
2、 PRODUCT PROPERTY

- Adjusts viewing angle via microlouver technology: Clear screen from front, black screen from sides for privacy protection
- Applicable to various displays, including tempered glass

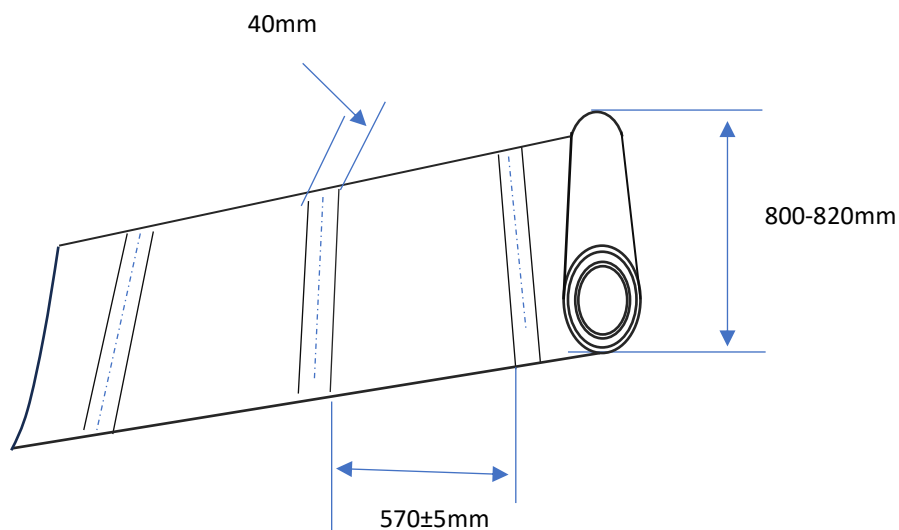
3、 TYPICAL APPLICATIONS

- Privacy Filter for Display/Glass
 - Reduces harmful electromagnetic waves and diffuse reflection
 - Prevents information leakage; suitable for financial institutions, government offices, corporations
 - Dual functions: Screen protection and privacy control
 - UV Protection

4、 CONSTRUCTION



5、Material & Standard Size



6、General Properties

Item	Unit	Value	Remark
Transmittance	%	43 ± 5%	
Haze			
Viewing Angle	°	38 ± 5°	

■ This material quality table is for reference only and shall not be held liable for any technical or legal reasons.

■ Sufficient verification must be performed before use.